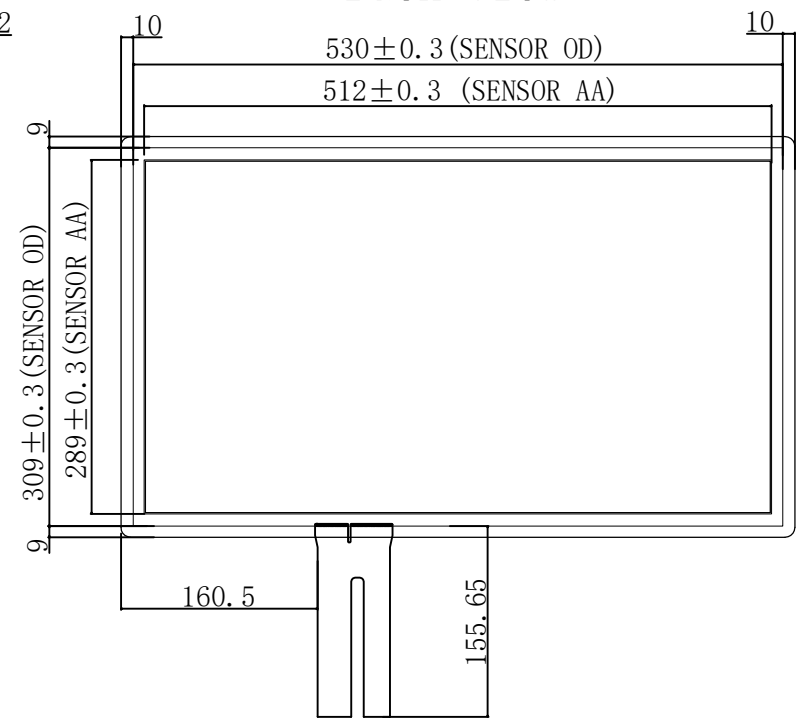
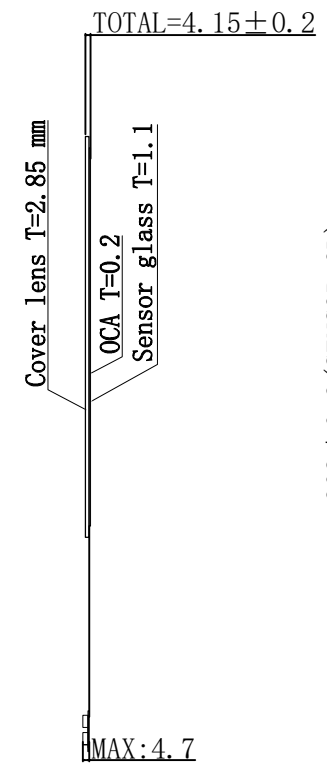
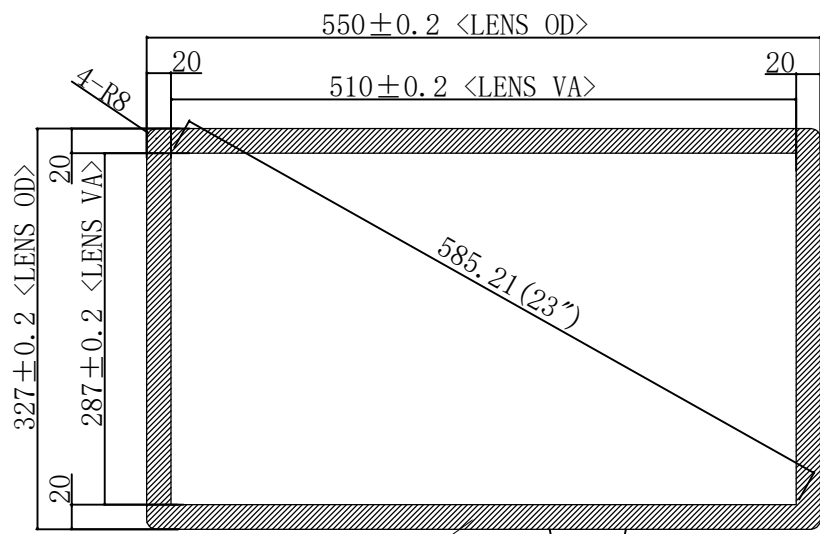


标记(mark)	修改内容(revised contents)	签名(signature)	日期(Date)
<1>			
<2>			

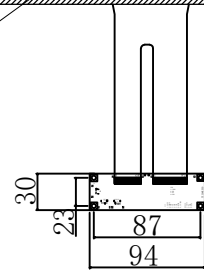
Front view

Side view

Back view



Pantone Black C



Technical Parameters

- 0: Interface :USB, ILI2510
- 1: Touch point: 10
- 2: Cover lens + Sensor glass + OCA + FPC
- 3: Cover lens Thickness = 2.85 mm
- 4: Sensor glass Thickness = 1.1mm
- 5: OCA Thickness = 0.2mm
- 6: Total Thickness = 4.15mm
- 7: Sensor Process: Print Process (ITO Pattern) + laser line(Ag)
- 8: Input Voltage 3.5V~5.5V, Typical 5V
- 9: Transmittance:>85%
- 10: Surface Hardness:>6H
- 11: Relative Humidity:95% at 60°C, RH Non-condensing
- 12: Operating Conditions:-10 to 70 °C
- 13: Storage Conditions:-20 to 70 °C
- 14: Dimension tolerance:±0.3mm

东莞市越丰光电有限公司

TITLE: 产品编号		YFDR0230007		
Designed By: 设计	Customerid: 客户编号		View: 投影方式	
Checked By: 审核	Unit: 单位	mm	Scale: 比例	
Approved By: 批准	Date: 日期	20191212	Scale: 比例	1:1

由 Autodesk 教育版产品制作

由 Autodesk 教育版产品制作

A B C E F G